

PROD0118 Camera

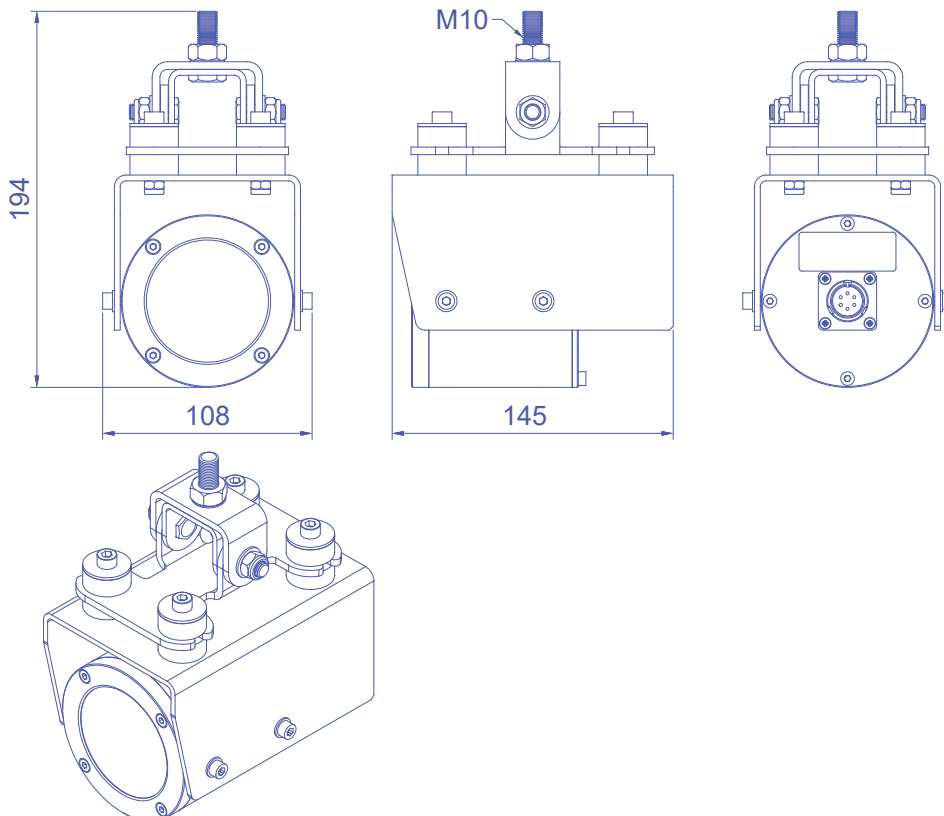
A robust, mine-proven day and night camera offering a wide field of view, with built-in shock mounts and adjustable tilt.

Designed for mounting on the exterior of mine vehicles.



SPECIFICATIONS

Image Sensor	1/3" CMOS Sensor
Chip Size	4.8mm (W) x3.6mm (H)
Picture Elements	976 (H) x 582 (V)
Scanning System	625 TVL; 2:1 Interlace; TV system PAL
Sync System	Internal
Minimum Illumination	0.01 Lux at F1.2 – suitable for day and night vision
Resolution	700 TV Lines
Field of View	108° Horizontal, 60° Vertical
Signal to Noise Ratio	More than 50dB (AGC OFF)
White Balance	Auto
Auto Iris	AES
Electronic Shutter	Auto: 1/53 ~ 1/100000 Sec
Video Output Signal	1.0V p-p composite video at 75 ohm & Y/C output
Gamma Ratio	0.45
Operating Temperature	-10°C to 50°C
Operating Humidity	85 % RH max.
Protection Rating	IP 66 rated enclosure
Lens	High impact photochromic type
Weight	1.3kg
Power Supply	DC 12V (+/- 10%) @ 100mA (powered from Display Unit PROD0119 for 2 camera system or from In-Vehicle-Unit for 1 camera system or from Expansion Unit PROD0161-CG for 4 camera system maximum)
Lens Mount	On board Lens (f2.27mm)
Connector	Input Power / Video / RS-485 comms (6-way MILSPEC panel plug)
Input Signals	<ul style="list-style-type: none"> • Camera Unit power (12 VDC, 800 mA max)
Output Signals	<ul style="list-style-type: none"> • Camera unit video signal (differential 1Vp-p / 75 ohm)



CONTACT

Address	Industrea Mining Technology Pty Ltd T/A Digital Mining Technology PO Box 5107 Fountaindale, New South Wales, Australia, 2258
Telephone	+61 2 4336 1800
Fax	+61 2 4336 1888
Email	GETProductionIMT@wabtec.com
Web	www.wabteccorp.com