

PROD0839A

CAS DISPLAY

Rugged Display/Touch screen/User interface
 for PROD1177/PROD0842/PROD0847

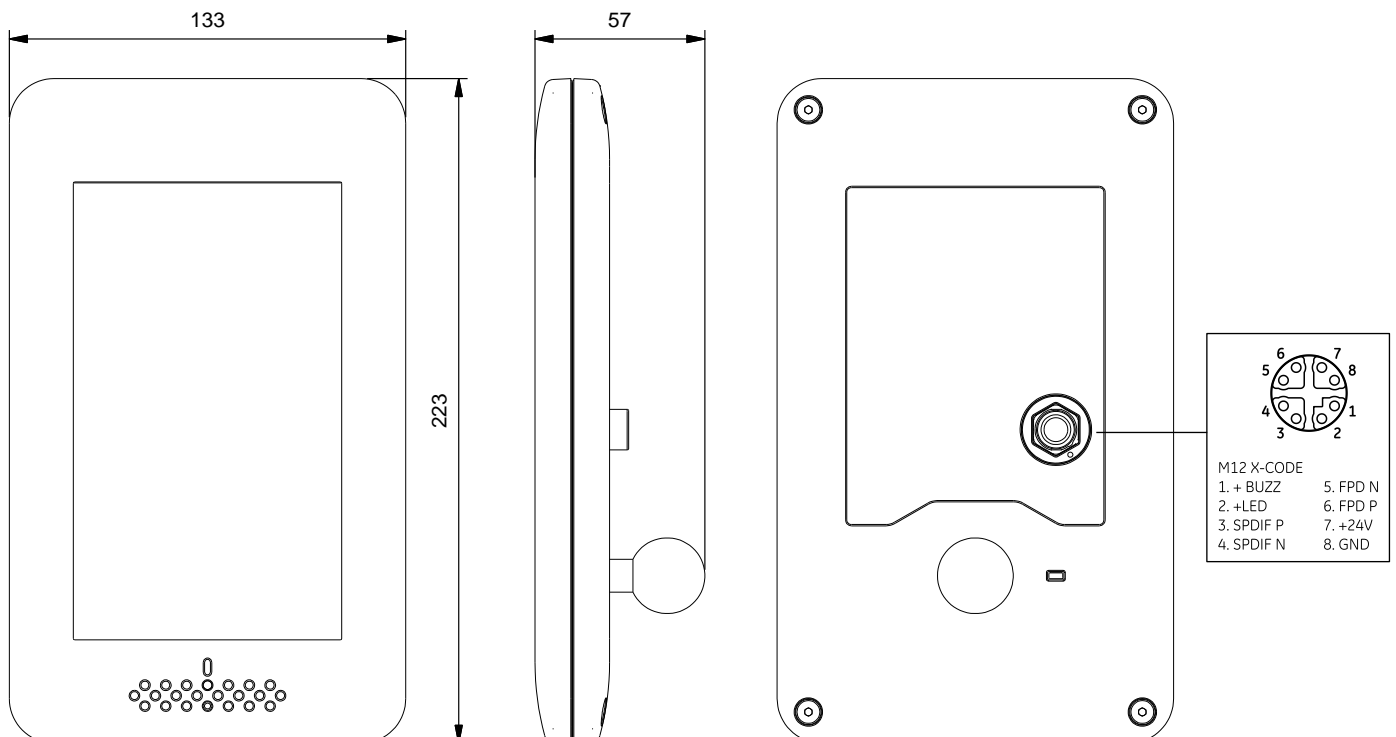


Features

- 7" Rugged Industrial Display
- Touchscreen
- Microphone
- Speaker
- Ambient light sensor (for auto day/night mode)
- Stand-by mode LED indicator and alarm buzzer
- Integral RAM™ 1" mounting
- Single cable M12 for easy install (proprietary interface)

Use

- CAS-GPS User Interface/HMI
- Operator acknowledgement/feedback input device
- Supports progressive audible, visual and voice alerts



Specifications

Screen size	7"
Screen Resolution	1024 x 600 WSVGA
Brightness	650 cd/m ² with anti-glare and wide viewing angle film
Touchscreen	Capacitive touch, 1792x1024 points resolution
Dimensions	133 wide x 223 high x 57mm deep (with ball)
Microphone	38dBV, SNR 62dBA, 100Hz-15kHz
Buzzer	+78dB at 50cm
Speakers	81dB @ 50cm 2x1W, digital volume control
IP Rating	IP52
Operating Temp.	-10°C to +60°C
Weight	810g
Mounting	1" Ball (RAM Mount)
Power/communication	From In-Vehicle-Unit (IVU PROD1177 series or PROD084x series)

Accessories

Item #	Description
PROD0850-xM	CAS-GPS IVU to Display (Shielded - cable length x metres)
KITSCL99	Rugged Display Mount (with a larger mounting ball – for extreme environments)
PROD1105	Sun Visor

Contact

Web	www.wabteccorp.com
------------	--