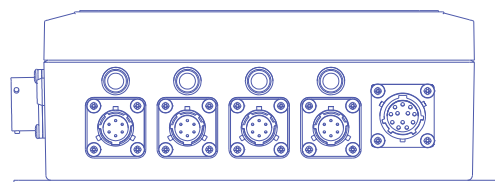
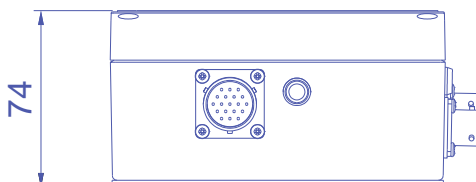
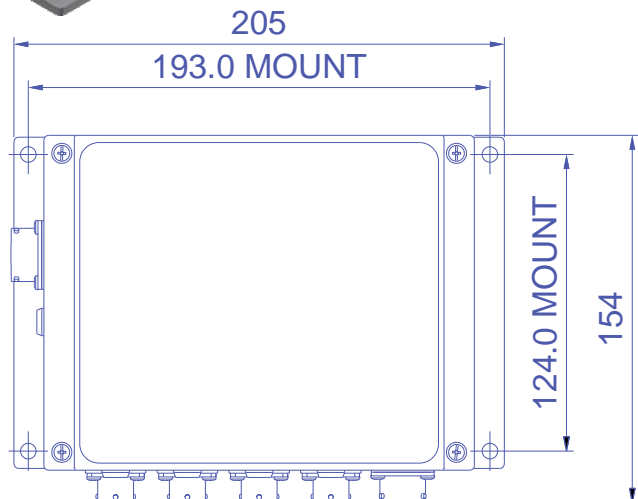
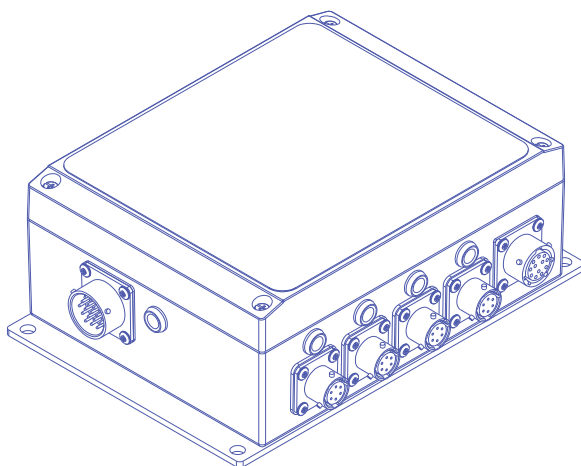


PROD0161-CG

CAS-GPS Expansion Unit

A robust unit providing the necessary interconnections to expand a CAS-GPS system to accommodate up to 4 cameras, 4 radiofrequency units and four digital inputs.



Specifications

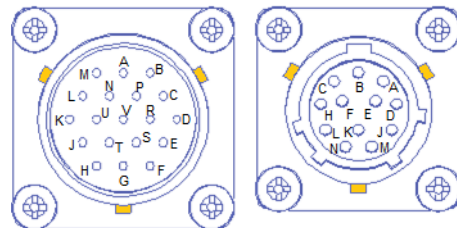
Power Input	DC 10V – 30V (ripple 0.5 Vp-p max.)
Power Consumption	50W maximum
Protection Rating	IP 66 rated enclosure
Operating Temperature	0°C - 60°C
Weight	1.5 kg
Signals	Vehicle Main Power (10-30 VDC, 50W max.) 4 x digital input signals (10-30VDC, opto-isolated 3KV) Camera Unit Video Signal (differential 1Vp-p) CH3-CH6: 4 x Camera / RF Unit channel power (12VDC, 0.5A max) Display Unit power (10-30 VDC, 25W max) RS-485 comms bus (connected to Display Unit & RF Units)

Power/Input Connections (19-pin)

Pin	Signal	Function
A	Vin+	
B	GND	
C	IP1 +	
D	IP1 -	
E	IP2 +	
F	IP2 -	
G	IP3 +	
H	IP3 -	
J	IP4 +	
K	IP4 -	
L	N/C	
M	N/C	
N	N/C	
P	N/C	
R	N/C	
S	REV AL +	
T	REV AL -	
U	N/C	
V	N/C	

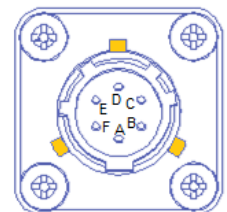
Display Connections (12-pin)

Pin	Signal	Function
A	Vout+	
B	GND	
C	CAMEX+	
D	CAMEX-	
E	RS485+	
F	RS485-	
H	REV+	
J	REV-	
K	REV AL +	
L	REV AL -	
M	FWD+	
N	FWD-	



CAS BUS Channel Connections (4 x 6-pin connectors; channels 3-6)

Pin	Signal	Function
A	+12V	
B	GND	
C	VID+	
D	VID-	
E	RS485+	
F	RS485-	



Accessories

PROD0179	CAS Expansion Unit Input cable
PROD0180	CAS Expansion to Display cable

Contact

Web	www.wabteccorp.com
------------	--